

Stretch Grip Pliers

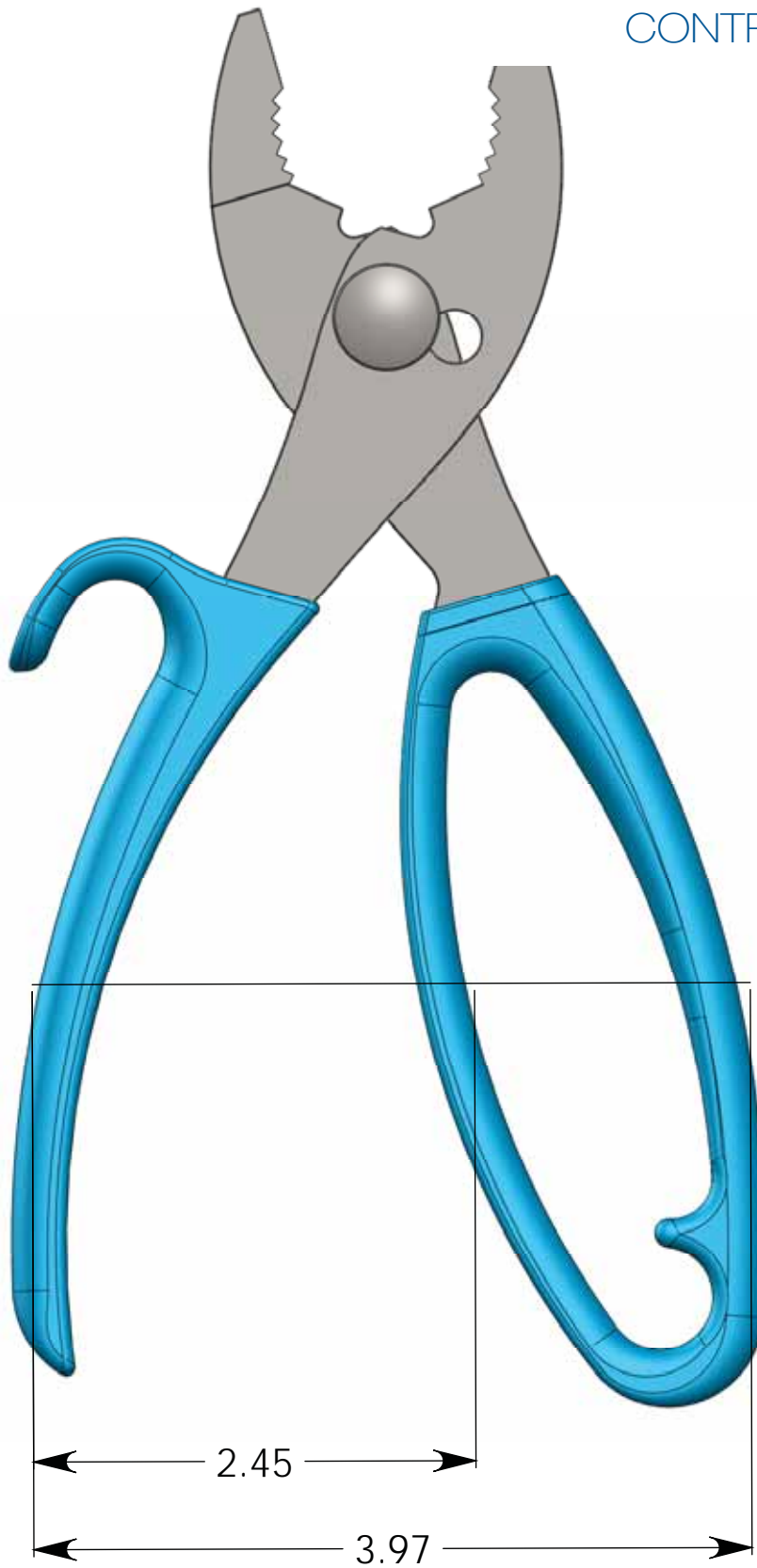
DIMENSION 7
CONTROL DRAWINGS



PROPRIETARY AND CONFIDENTIAL

AbsolutelyNew Design Services
650 Townsend Street, Suite 475
San Francisco, CA 94103
absolutelynew.com

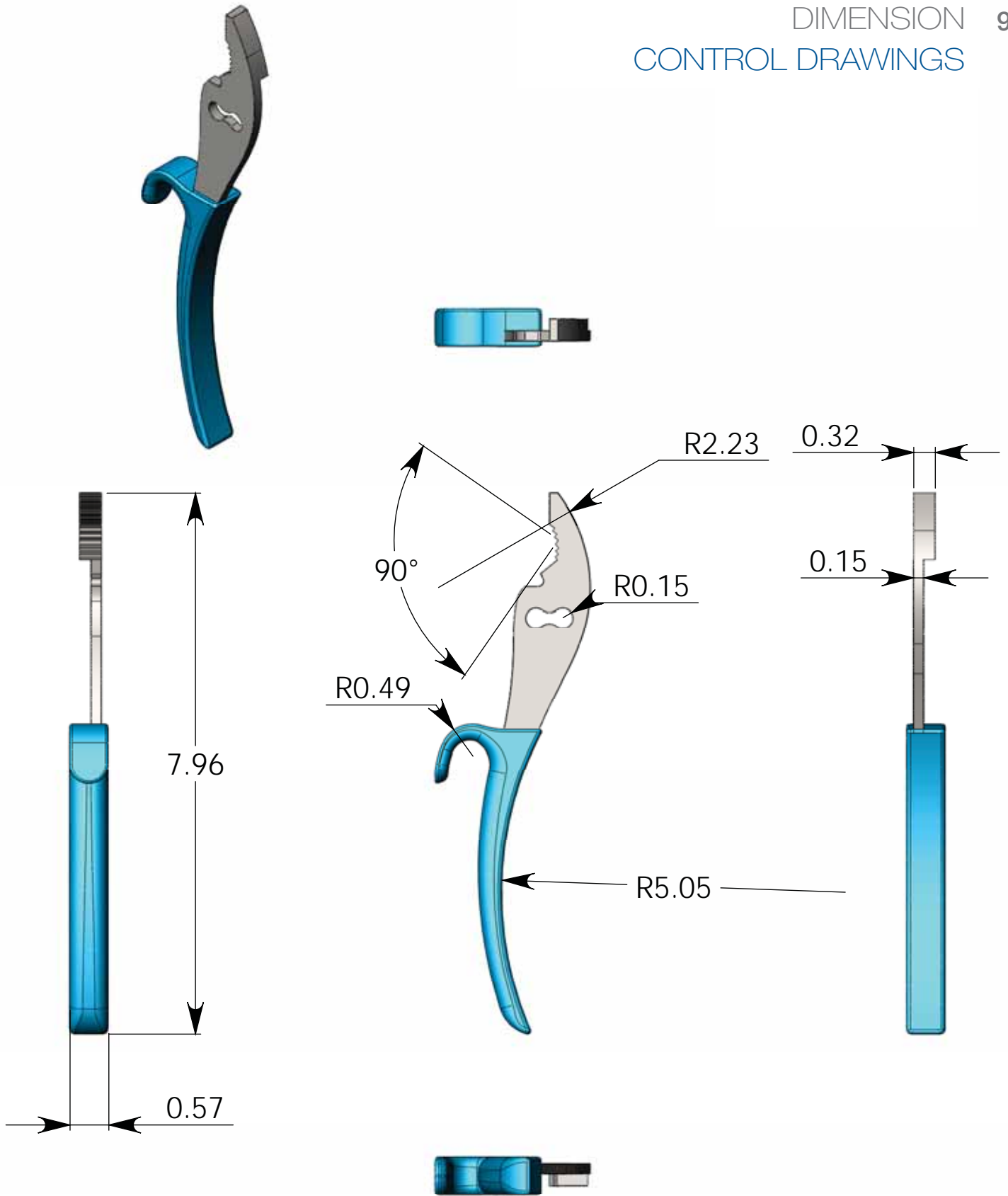
SIZE	DWG. NO.	REV.
A	STRETCH GRIPS	
SCALE:1:2	WEIGHT:	SHEET 1 OF 7



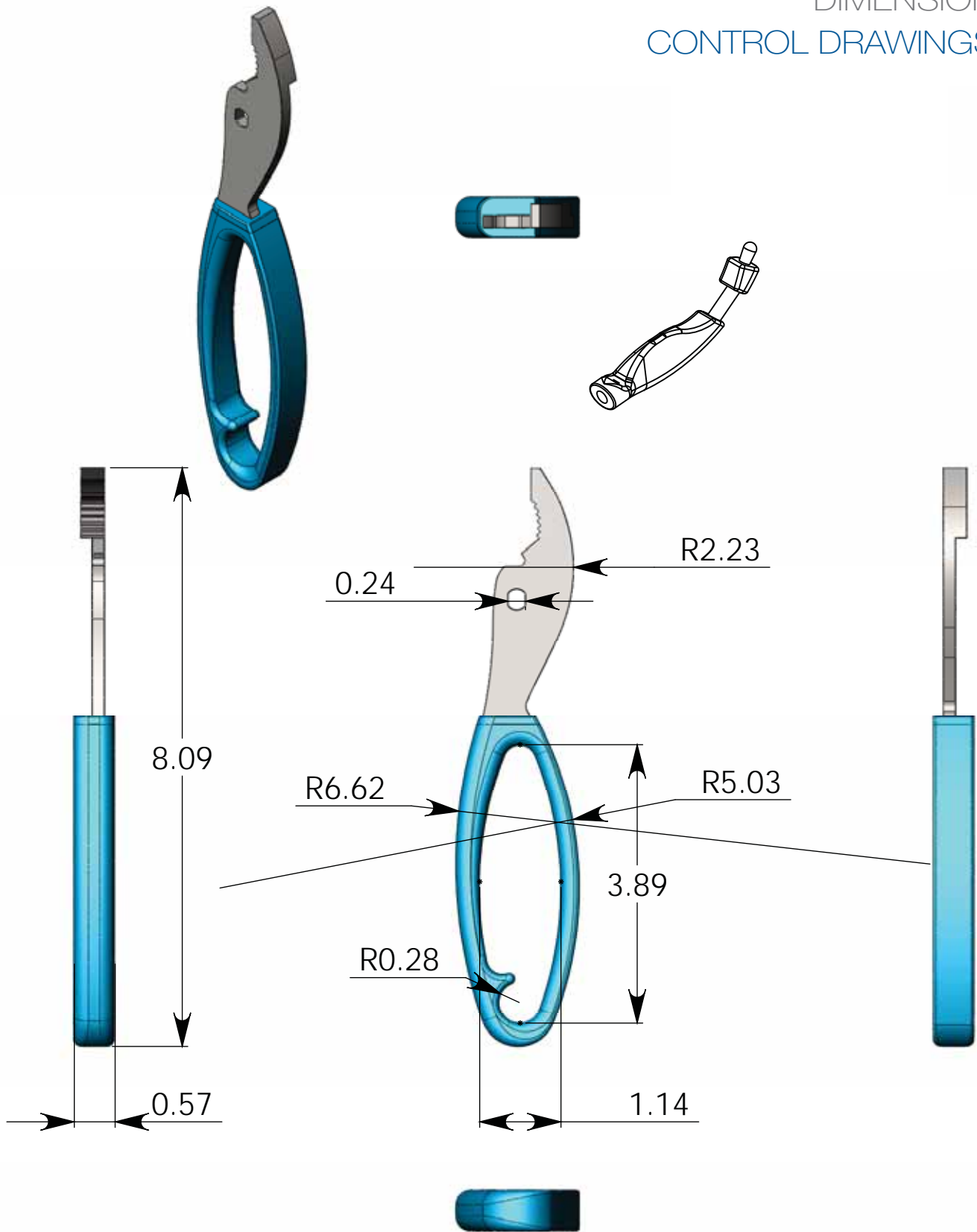
PROPRIETARY AND CONFIDENTIAL

AbsolutelyNew Design Services
650 Townsend Street, Suite 475
San Francisco, CA 94103
absolutelynew.com

SIZE	DWG. NO.	REV.
A	STRETCH GRIPS	
SCALE:1:2	WEIGHT:	SHEET 2 OF 7



DIMENSION 10
CONTROL DRAWINGS

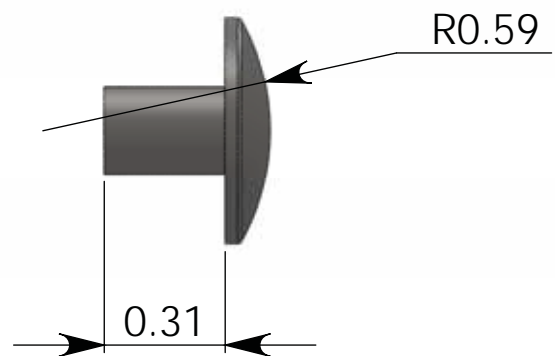
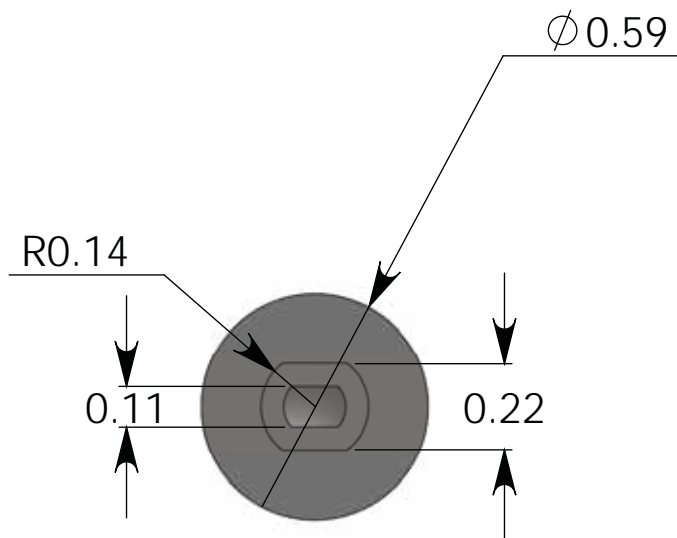
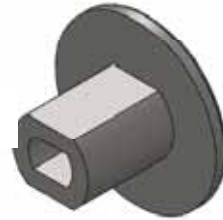


PROPRIETARY AND CONFIDENTIAL

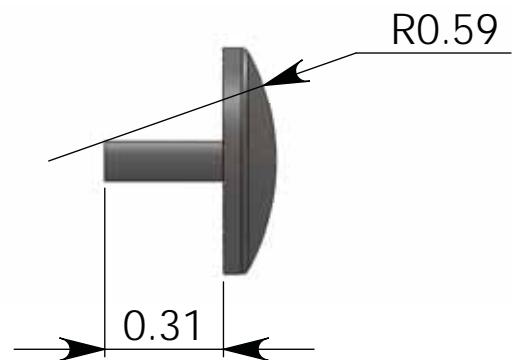
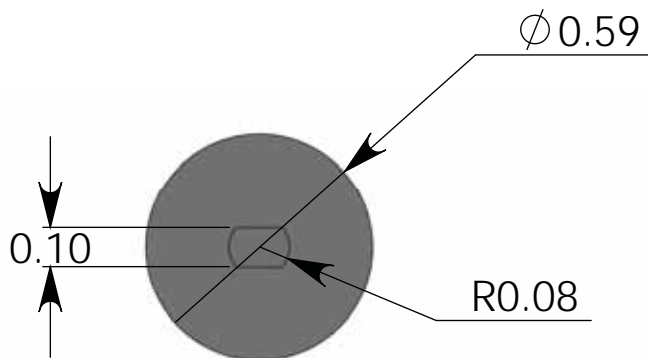
AbsolutelyNew Design Services
650 Townsend Street, Suite 475
San Francisco, CA 94103
absolutelynew.com

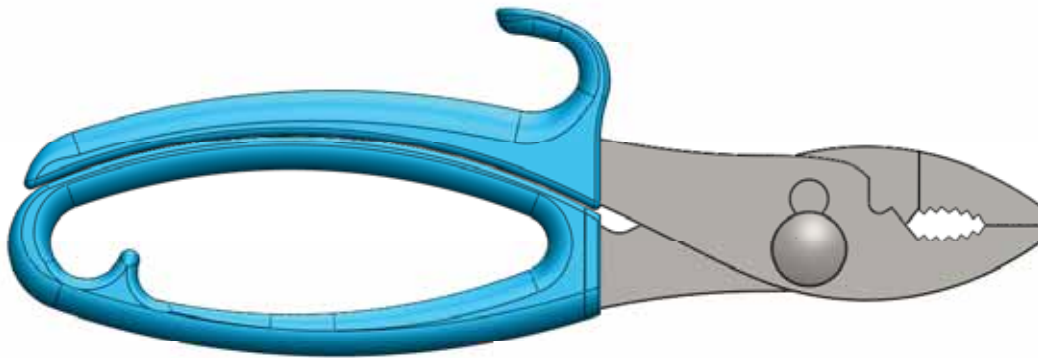
Loop Arm

SIZE	DWG. NO.	REV.
A	STRETCH GRIPS	
SCALE:1:2	WEIGHT:	SHEET 4 OF 7



DIMENSION 12
CONTROL DRAWINGS





ITEM NO.	PART NUMBER	DESCRIPTION	QTY.
1	Lever	Drop Forged Steel Jaw ABS overmold	1
2	Loop	Drop Forged Steel Jaw ABS overmold	1
3	Rivet-f	Steel	1
4	Rivet-m	Steel	1